

**SUMMARY OF THE DOGS AUSTRALIA SPECIAL BOARD MEETING
HELD VIA ZOOM VIDEO CONFERENCING ON 17 JUNE 2023**

At the June 2023 ANKC Ltd Special Board meeting, Directors resolved/considered the following:

1. * ANKC Ltd Regulations Part 5 – Conformation Show, New Clause 2.7

It was RESOLVED that Regulations Part 5 – Conformation Show be amended with the addition of Clause 2.7 to read as follows:

2.7 Use of Ramps/Tables

2.7.1 *A current list of table, ramp and ground judged breeds may be found on the Dogs Australia website.*

2.7.2 Table Breeds

Designated table breeds must be examined on an examination table. When re-examining them, they must be placed back on the table. Only breeds designated as table breeds may be examined on the table.

2.7.3 Ramp Breeds

A judge requesting the use of a ramp must give notice to the show representative/show manager prior to judging. Dogs Australia/ member body approval is not required. Designated ramp breeds may be examined on the ground (table if applicable) or on a ramp during breed judging at the sole discretion of the judge and not the exhibitor. The entire entry in that breed is to be examined on the ground (table if applicable) or on a ramp. The ramp will be available at the discretion of the judge for all ramp optional breeds through all levels of competition including group and Best in Show judging.

2.7.4 *Breeds designated as Table/Ramp optional breeds may be judged on either at the sole discretion of the judge and not the exhibitor. The entire entry in a breed is to be examined in the same manner.*

2.7.5 All Other Breeds

Breeds not designated as either table or ramp breeds may only be examined on the ground.

2.7.6 Baby Puppies of any breed

Baby puppies may be examined on the ground, table or ramp at the discretion of the Exhibitor and Judge.

2.7.7 Guidelines for Construction of a Judging Ramp

Ramps acquired from date of implementation should conform to the following specifications.

Construction: Any stable material, including the use of folding legs if required.

Surface: non-slip such as; rubber-mat, artificial turf, outdoor carpet.

Weight: the weight any ramp shall not exceed 16kg (in accordance with WHS guidelines) except in the case where the ramp is mobile by form of attached wheels (can be pushed rather than carried or lifted).

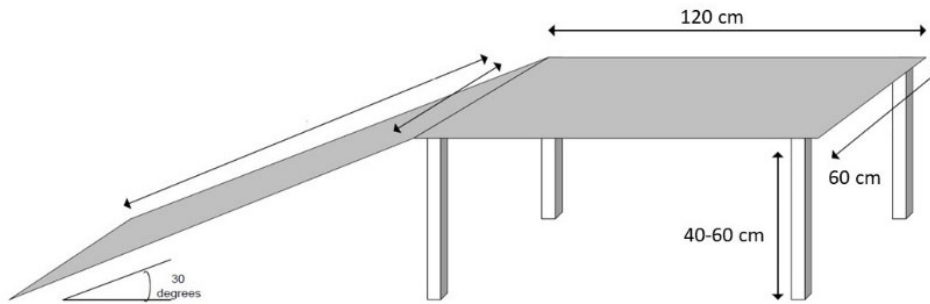
Dimensions

Length: 120 cm

Width: 60 cm

Height: 40 – 60 cm

Slope: no greater than 30°



NOTE: Please refer to Regulations Part 2 – Judges, Clause 1.4 in relation to the declaration contained on all Judges Application Forms, both new and renewal regarding fitness to judge.

Note: This amendment to the regulations will be effective 1 January 2024.

2. * ANKC Ltd Regulations Part 6 – The Register & Registration, Clause 1.7

It was RESOLVED that Regulations Part 6 – The Register & Registration Clause 1.7 be amended to read as follows:

1.7 Greyhounds

All Member Bodies shall recognise registrations issued by the relevant Authority within that State/Territory. Owners must complete a re-registration application signed by the relevant Authority and accompanied by a copy of the Greyhound Identification Card or Pedigree. (04/84) (Amended 5/00) (Amended 10/16, 6.1) (Amended 06/23, 5.2 – effective 01/08/23)

Note: This amendment to the regulations will be effective 1 August 2023.

3. * ANKC Ltd Regulations Part 6 – The Register & Registration, Clause 3.2 (c)

It was RESOLVED that Regulations Part 6 – The Register & Registration Clause 3.2 (c) be amended to read:

3.2 *All pedigree dogs that are imported into Australia except those imported from New Zealand (including dogs whelped in Australia and previously exported from Australia) to be re-registered with Dogs Australia must provide, at the time of registering the dog the following:*

c. *An original Export Pedigree and Ownership Certificate (if two separate documents) or a digital Export Pedigree/Ownership Certificate sent directly to the State Member Body Office from the Overseas Controlling Body, indicating the Australian member's name and current residential address showing all registration numbers, titles granted and colours by the overseas body. The Export pedigree must be at least first and second generations complete and the 3rd generation a maximum of 4 names missing.*

Note: This amendment to the regulations will be effective 1 August 2023.

4. * ANKC Ltd Regulations Part 6 – The Register & Registration, Clause 6.3.4.12.1

It was RESOLVED that Regulations Part 6 – The Register & Registration Clause 6.3.4.12.1 be amended to read as follows:

6.3.4.12.1 *The State Member Body that initially first registers any dog with a shortened tail shall determine whether such shortening is legal. Any change to this status shall be the responsibility of the State Member Body that first made the notation on the registration. All State Member Bodies shall recognise any determination by another State Member Body in relation to this matter.*

Note: This amendment to the regulations will be effective 1 August 2023.

5. * ANKC Ltd Regulations Part 6 – The Register & Registration, New Clause 8.16A

It was RESOLVED that Regulations Part 6 – The Register & Registration be amended with new Clause 8.16A to read as follows:

8.16A Dobermann

8.16A. Effective 1st January 2024, any Dobermann born a Natural Bobtail will be eligible to be registered on the Limited Register only and flagged NOT TO BE UPGRADED as they do not conform with the breed standard.

Note: This amendment to the regulations will be effective 1 January 2024.

6. * ANKC Ltd Regulations Part 6 – The Register & Registration, Clause 6.11.4

It was RESOLVED that Regulations Part 6 – The Register & Registration, Clause 6.11.4 which currently reads as follows to be removed in its entirety effective 1 January 2024:

6.11.4 In addition to compliance with 6.11.1 any Dobermann applying to be registered as a Natural Bobtail (NBT) must also show DNA proof of purity of breed. Where the certification of the dog being a NBT is by DNA testing, the DNA testing for proof of purity of breed must be conducted by an independent testing laboratory to that of the NBT testing. Effective for matings after the 1 June 2022. (Added 10/21, 9.4) (Amended 05/22, EM#199)

7. * ANKC Ltd Regulations Part 6 – The Register & Registration, New Section 13

It was RESOLVED that Regulations Part 6 – The Register & Registration Clause 8.16 be amended with new Section 13 pertaining to the Conduct of Surveys to read as follows:

13.1 The Board of Directors may at their sole discretion, resolve to conduct a survey of members to gauge their opinion on any matter not covered by Regulations Part 6 Clause 8.18 to assist it in making a decision.

13.2 If the survey is breed related, it will be limited to:

- a) voting current members of a Dogs Australia Member Body;*
- b) who have held full continuous membership for the previous two years prior to the release of the survey; and*
- c) currently own or have owned a Main Registered dog in the specific breed.*

13.3 Surveys will be electronic, conducted by the Dogs Australia Administration.

Note: This amendment to the regulations will be effective 1 August 2023.

8. * Dogs Australia Listing of Recognised Working Dog Associations or Kindred Bodies

It was RESOLVED that the Australian Sled Dog Sports Association be added to the Dogs Australia Listing of Recognised Working Dog Associations or Kindred Bodies.

- * New or Amended regulations, policy statements, procedures, publications and listings will be made available from the Dogs Australia+ website.**

TRACEY BARRY
ADMINISTRATOR